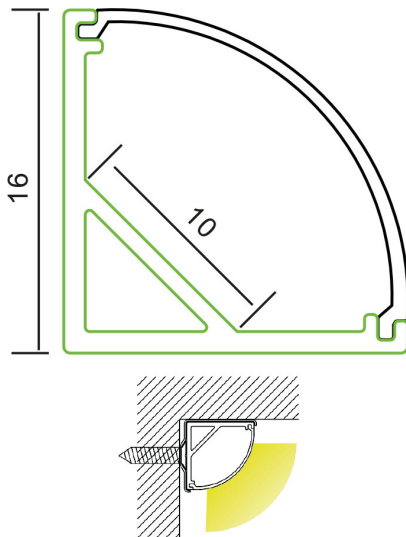
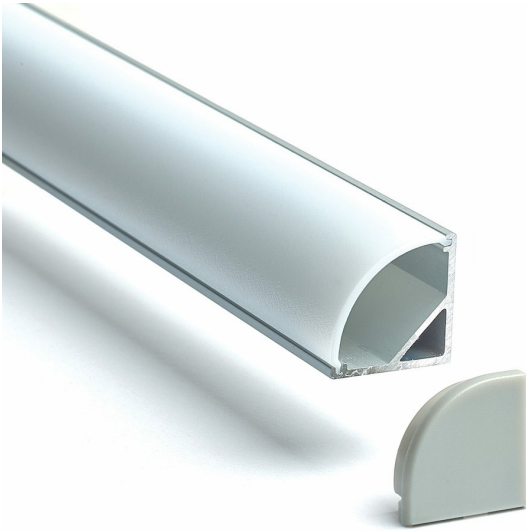


LED Mounting Channels

Rounded Corner Base Profile & PMMA Diffuser (2m)



Specifications

Internal Width	10mm
Base Material	
Diffuser Material	PMMA
Diffuser Finish	Opal
Length	2m
Blank End Cap Code	ALU03-EC
Cable End Cap Code	ALU03-EC1
Mounting Clip Code	ALU03-MC
Suspended Kit Code	n/a

Fixing Type